



308 Series

308P



Applications

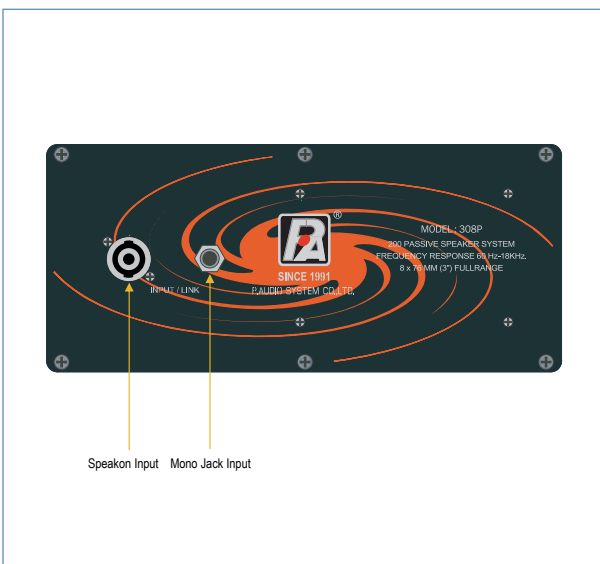
308P

The 308P is a passive professional sound reinforcement system designed for both portable applications as well as installed sound applications. The P Audio 308P features 8 neodymium based full range transducers oriented in an array to provide control over both the horizontal and vertical acoustic radiation pattern.

The 308P transducers feature a Kevlar based diaphragm assembly that provided a very high degree of mechanical damping. This design allows both high mechanical power handling and reliability as well as excellent vocal range clarity. System inputs are paralled 4 pin and 1/4" phone connectors. System power handling is 400 watts program material and a full 200 watts of rms power.

The 2 x 8 element transducer array acts to narrow the horizontal coverage pattern and increases the system coverage angle. This allows the 308P system focus its acoustic radiation pattern on the audience and not on reflective surfaces. This improves the ratio of direct sound to reflected sound and, as a consequence, improves system intelligibility.

The 308P System also comes, as standard equipment, with a protective cover that may also be used as a monitor stand when the 308P is used as a floor monitor. The 308P is compatible with a variety of additional mounting and suspension hardware such as an external stand adaptor that may be positioned to allow the enclosure to be used in either a horizontal or vertical orientation. Suspension hardware is also available for the 308P. The enclosure offers 4 M4 and 2 M8 mounting points for associated mounting hardware.





308 Series

308P

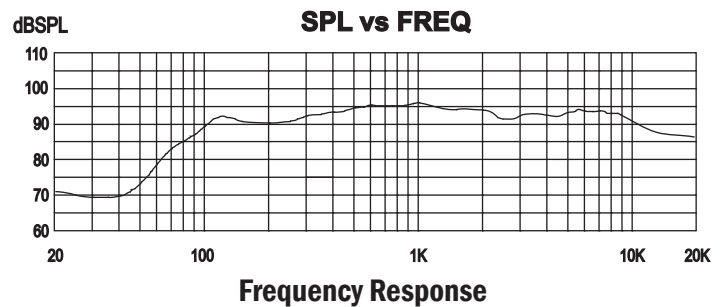
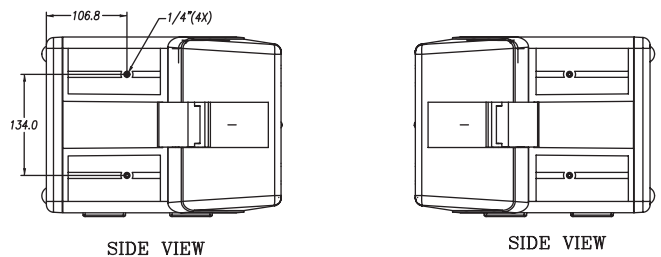
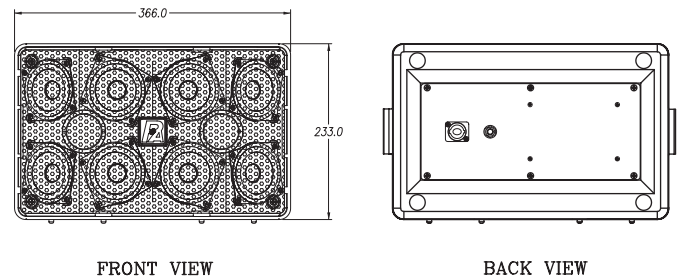
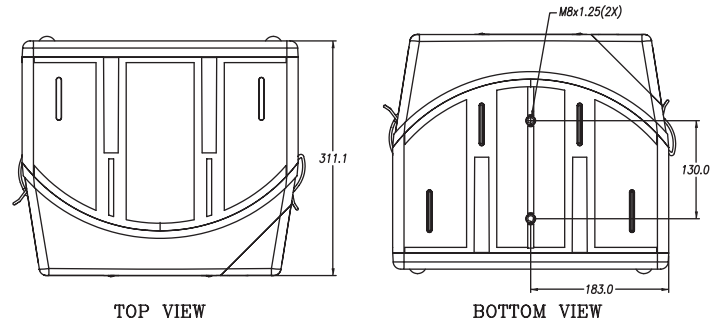
Specifications

GENERAL SPECIFICATION

Type	2 Way Full Range Passive Bass Reflex
Power	400 Watt
Nominal Impedance	8 Ohm
Sensitivity (1W@1M)	96 dB
Frequency Response	60Hz – 18 kHz
Dimension (H x W x D)	233mm x 366mm x 311mm (9.1" x 14.4" x 12.24")
Finish Color	Black or White

PHYSICAL INFORMATION

Component	8 x 3" (76 mm) Kevlar Cone Speaker / Neodymium
Construction	Injection Molded High Impact Polycarbonate
Grill	Powder Coated Steel Mesh
Input / Link Connectors	1 x Neutrik Speakon 1 x Mono 1/4" TS Jack
Rigging / Fitting	1 x Recessed Carrying Handle Cover 4 x Recessed M4 Mounting Point 2 x Recessed M8 Mounting Point
Standard Packing	1 Pc / Pack
Unit Weight	6.1 kg (13.4 lbs)
Shipping Weight	7.8 kg (17.2 lbs)
Packing Dimension HxWxD (cm)	31 x 38 x 44 (1.75 cu.ft)



19/4 Moo 2 T.Bangkratuk A. Samparn Nakornpathom 73210 Thailand
 Tel: +66-2-441-6600 Auto 30 Lines
 e-mail: info@paudiothailand.com
 Web site: www.paudiothailand.com
 All rights reserved by P.Audio System Co., Ltd. 2007

