

P10/100MB (MID & BASS TRANSDUCER)

GENERAL SPECIFICATIONS

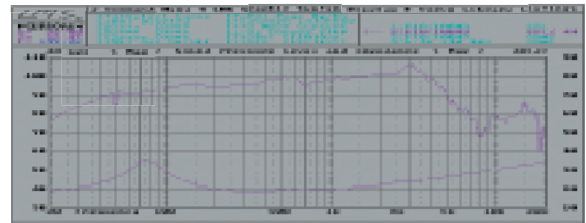
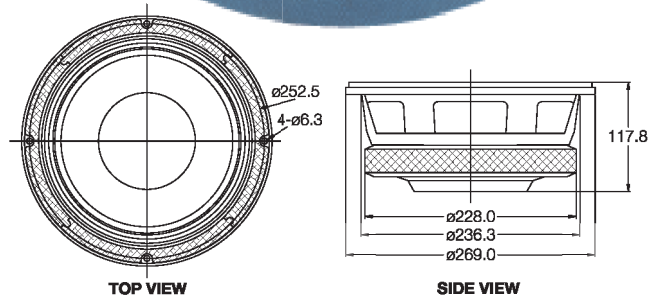
Nominal Diameter	254 mm	10 Inch
Rated Impedance	8 Ω	
Power Handling Capacity	300 Watts	
Sensitivity 2.83 V, 1M	100 dB	
Effective Piston Diameter	260 mm	10.2 Inch
Voice Coil Diameter	99.30 mm	4 Inch

THIELE - SMALL PARAMETERS

Resonance Frequency	Fs	77.1 Hz
DC Resistance	Re	6.4 Ω
Mechanical Q Factor	Qms	3.140
Electrical Q Factor	Qes	0.405
Total Q Factor	Qts	0.358
BL Factor	BL	16.53 TM
Effective Moving Mass	Mms	35.72 gr
Equivalent Cas Air Load	Vas	19.54 liters
Effective Piston Area	Sd	0.0530 m²
Voice - Coil Inductance @ 1KHz	Le	0.53 mH
Half-Space Efficiency	Eff	2.14 %
Airgap Height	Hag	7.0 mm
Voice Coil Height	Hvc	8.0 mm
Voice Coil Over-Hung	Xmax	0.5 mm

PHYSICAL INFORMATION

Basket	Cast Aluminium
Magnet Type, Size ODxDxH (mm)	220 x 110 x 20 Ferrite 100.5 oz
Voice Coil Former	Kapton 400°C
Voice Coil Material	Aluminium Flat Wire 300°C
Cone Material	Pulp Paper
Surround	Treated Cloth
Spider	Cotton Blen Polyester
Dust Cap	Pulp Paper
Unit Weight	9.7 kgs (21.34 Lb)
Packing Dimension WxLxH (mm)	Gross Weight 10.4kgs (22.88 Lb) 310 x 310 x 170 12.2in X 12.2in X 6.7in 0.58 Cu.Ft.



PA-D99 (COMPRESSION DRIVER)

GENERAL SPECIFICATIONS

Description	Compression Driver
Size (in)	230.0 mm 9 Inch
Rated Impedance	8 Ω
Power Handling Capacity	125 Watts
Sensitivity 1W@1m	111 dB
Operating Bandwidth	500 - 18000 Hz
Throat Diameter	49.0 mm 2 Inch
Voice Coil Diameter	99.1 mm 3.9 Inch
Recommended Crossover	2nd. Order or Higher

THIELE - SMALL PARAMETERS

Resonance Frequency	Fs	332.6 Hz
DC Resistance	Re	6.4 Ω
Mechanical Q Factor	Qms	1.076
Electrical Q Factor	Qes	0.606
Total Q Factor	Qts	0.387

PHYSICAL INFORMATION

Diaphragm Material	Titanium
Magnet Type, Size ODxDxH (mm)	220 x 110 x 20 Ferrite 100.5 oz
Terminal	Gold Plated Push
Mounting Type	Bolt-On
Voice Coil Former	NOMEX
Voice Coil Material	Aluminium Flat Wire 300°C
Unit Weight	14.4 kgs (31.68 Lb)
Gross Weight	14.9 kgs (32.78 Lb)
Packing Dimension WxLxH (mm)	260 x 260 x 160 10.2in X 10.2in X 6.3in (0.38 Cu.Ft.)

