



# Horn And Driver Adaptors

# PC-25



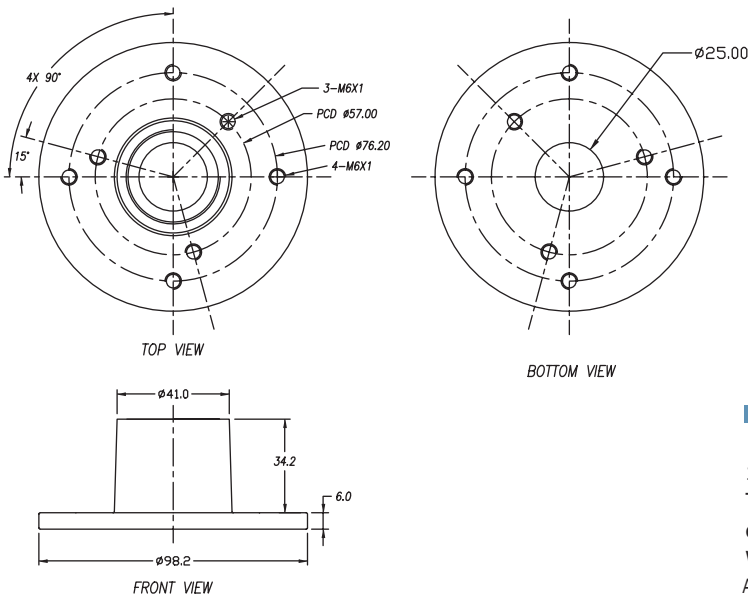
## Applications

PC-25

The PC-25 is designed to allow 1 inch (25.4mm) nominal exit screw on compression drivers to mate to horns with 1 inch (25.4mm) bolt on throats.

## Specifications

Overall Dimension	: 98 x 40	mm.
Material	: Aluminium	
Net Weight	: 0.17 kg (0.37 lbs.)	
Shipping Weight	: 0.20 kg (0.44 lbs.)	
Packing Dimension	: 100 x 100 x 50 mm.	



19/4 Moo 2 T.Bangkratuk A. Samparn Nakornpathom 73210 Thailand  
 Tel: +66-2-441-6600 Auto 30 Lines  
 e-mail: info@paudiothailand.com  
 Web site: www.paudiothailand.com  
 All rights reserved by P.Audio System Co., Ltd. 2007

