

HORN FOR PROFESSIONAL DRIVERS



PH-14525

SPECIFICATIONS:

- MATERIAL: ALUMINUM
- FINISH: NO COLOR
- THROAT DIAMETER: 1 INCH
- DIMENSIONS: DIMENSIONS ARE IN MILLIMETERS
- CONTROL CHARACTERISTICS (n.)
- MOUNTING TYPE: BOLT-ON
- TOLERANCES: UNLESS OTHERWISE SPECIFIED

DECIMALS ANGULAR
 X.X ± 0.3 ±1°
 X.XX ±0.09

OVER DIMENSIONS:

- MOUTH HEIGHT MM : 96 mm (3.7")
- MOUTH WIDTH MM : 145 mm (5.7")
- LENGTH MM : 300 mm (11.8")

BAFFLE CUT OUT MOUNTING:

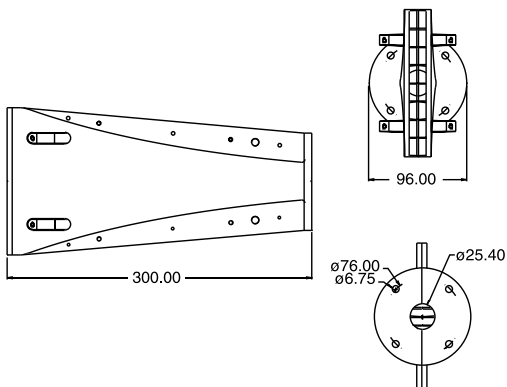
- NET WEIGHT : 1.54 kg (3.38 lb)
- SHIPPING WEIGHT : 3.26 kg (17.17 lb)
- 2 PCS / PACK

PACKING CARTON DIMENSION:

- 305 mm x 315 mm x 905 mm
- 12" x 12.4" x 35.6"

HORN RECOMMENDED DRIVERS:

- SD-450N, PA-D45



PH-2418

SPECIFICATIONS:

- MATERIAL: A.B.S.
- COLOR: BLACK
- NOMINAL COVERAGE ANGLE (H X V)-6dB: 90° x 40°
- CUT OFF FREQUENCY (HZ) 600
- THROAT DIAMETER MM: 25 MM (1")
- MOUNTING TYPE: SCREW-ON

MOUNTING DIMENSIONS:

- REAR HEIGHT MM : 154 mm (6.0")
- REAR WIDTH MM : 211 mm (8.3")

OVER DIMENSIONS:

- MOUTH HEIGHT MM : 183 mm (7.2")
- MOUTH WIDTH MM : 240 mm (9.5")
- LENGTH MM : 150 mm (5.9")

- MOUNTING FLANGE THICKNESS MM : 6 mm (0.24")
- MOUNTING HOLES DIAMETER MM : 5 mm (0.20")
- MOUNTING HOLES NUMBER : 8

BAFFLE CUT OUT MOUNTING:

- HEIGHT MM : 159 mm (6.3")
- WIDTH MM : 216 mm (8.5")
- NET WEIGHT : 0.53 kg (11.66 lb)
- SHIPPING WEIGHT : 0.78 kg (17.16 lb)

PACKING CARTON DIMENSION:

- 260 mm x 200 mm x 170 mm
- 10.2" x 7.9" x 6.7"

HORN RECOMMENDED DRIVERS:

- PA-DE34S, PA-D38, SN-D34S, SN-D44S, WN-D34, PA-D26S

