

HORN FOR PROFESSIONAL DRIVERS



PH-230

SPECIFICATIONS:

- MATERIAL: A.B.S. with glass filled black polycarbonate
- COLOR: BLACK
- NOMINAL COVERAGE ANGLE (H X V)-6dB: 90° x 90°
- CUT OFF FREQUENCY (HZ) 600
- THROAT DIAMETER MM: 25 MM (1")
- MOUNTING TYPE: BOLT-ON

MOUNTING DIMENSIONS:

- REAR HEIGHT MM : 175 mm (6.89")
- REAR WIDTH MM : 200 mm (7.87")

OVER DIMENSIONS:

- MOUTH HEIGHT MM : 230 mm (9.05")
- MOUTH WIDTH MM : 230 mm (9.05")
- LENGTH MM : 165 mm (5.24")

- MOUNTING FLANGE THICKNESS MM : 8.5 mm (0.33")
- MOUNTING HOLES DIAMETER MM : 6.35 mm (0.25")
- MOUNTING HOLES NUMBER : 6

BAFFLE CUT OUT MOUNTING:

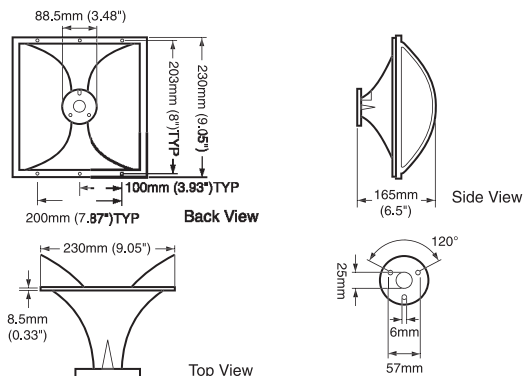
- HEIGHT MM : 180 mm (7.08")
- WIDTH MM : 205 mm (8.07")
- NET WEIGHT : 0.85 kg (1.87 lb)
- SHIPPING WEIGHT : 1.3 kg (2.86 lb)

PACKING CARTON DIMENSION:

- 241 mm x 241 mm x 178 mm
- 9.5" x 9.5" x 7"

HORN RECOMMENDED DRIVERS:

- PA-D34, PA-D44, PA-D45, BM-D440, BM-D450, SD-450N, SN-D44, WN-D44



PH-2370

SPECIFICATIONS:

- MATERIAL: A.B.S. with glass filled polycarbonate
- COLOR: BLACK
- NOMINAL COVERAGE ANGLE (H X V)-6dB: 90° x 40°
- CUT OFF FREQUENCY (HZ) 500
- THROAT DIAMETER MM: 25 MM (1")
- MOUNTING TYPE: BOLT-ON

MOUNTING DIMENSIONS:

- REAR HEIGHT MM : 134 mm (5.28")
- REAR WIDTH MM : 400 mm (15.75")

OVER DIMENSIONS:

- MOUTH HEIGHT MM : 173 mm (6.8")
- MOUTH WIDTH MM : 447 mm (17.6")
- LENGTH MM : 173 mm (6.8")

- MOUNTING FLANGE THICKNESS MM : 10 mm (0.4")
- MOUNTING HOLES DIAMETER MM : 6.35 mm (0.25")
- MOUNTING HOLES NUMBER : 10

BAFFLE CUT OUT MOUNTING:

- HEIGHT MM : 138 mm (5.44")
- WIDTH MM : 403 mm (15.87")
- NET WEIGHT : 1 kg (2.2 lb)
- SHIPPING WEIGHT : 1.7 kg (3.74 lb)

PACKING CARTON DIMENSION:

- 470 mm x 200 mm x 210 mm
- 18.5" x 7.9" x 8.3"

HORN RECOMMENDED DRIVERS:

- PA-D34, PA-D44, PA-D45, BM-D440, BM-D450, SD-450N, SN-D44, WN-D44

