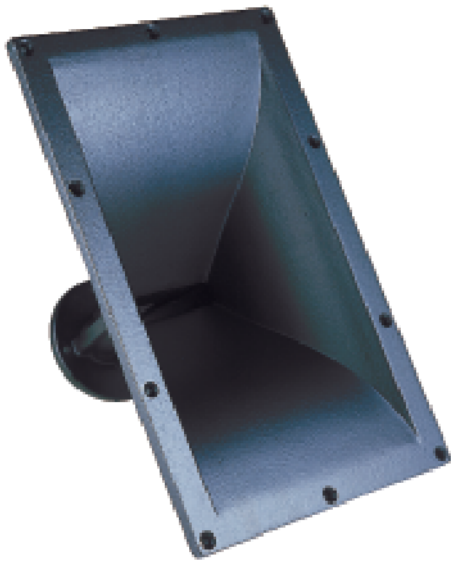


# HORN FOR PROFESSIONAL DRIVERS



## PH-2380

### SPECIFICATIONS:

- MATERIAL: A.B.S. with glass filled polycarbonate
- COLOR: BLACK
- NOMINAL COVERAGE ANGLE (H X V)-6dB: 90° x 40°
- CUT OFF FREQUENCY ( HZ ) 400
- THROAT DIAMETER MM: 50 MM (2")
- MOUNTING TYPE: BOLT-ON

### MOUNTING DIMENSIONS:

- REAR HEIGHT MM : 230 mm (9.06")
- REAR WIDTH MM : 365 mm (14.37")

### OVER DIMENSIONS:

- MOUTH HEIGHT MM : 280 mm (11")
- MOUTH WIDTH MM : 445 mm (17.5")
- LENGTH MM : 235 mm (9.25")

- MOUNTING FLANGE THICKNESS MM : 12 mm (0.47")
- MOUNTING HOLES DIAMETER MM : 6.35 mm (0.25")
- MOUNTING HOLES NUMBER: 10

### BAFFLE CUT OUT MOUNTING:

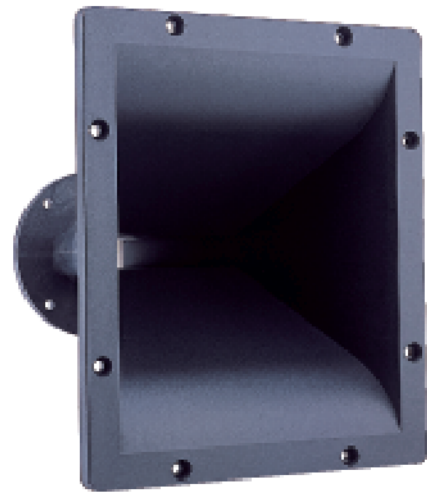
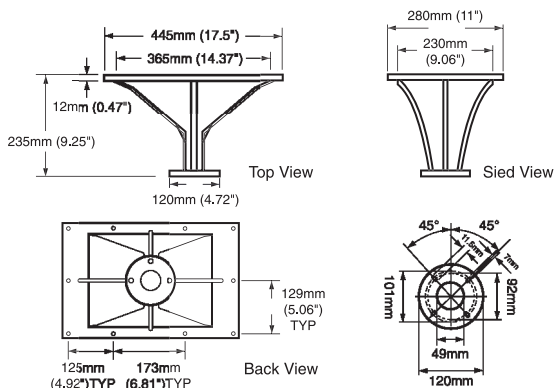
- HEIGHT MM : 235 mm (9.25")
- WIDTH MM : 375 mm (14.8")
- NET WEIGHT : 1.6 kg (3.52 lb)
- SHIPPING WEIGHT : 2.7 kg (5.94 lb)

### PACKING CARTON DIMENSION:

- 480 mm x 305 mm x 280 mm
- 19" x 12" x 11"

### HORN RECOMMENDED DRIVERS:

- PA-D99, PA-DE99, PA-D72, PA-DE72, SD-990N, SD-750N, BM-D750, WN-D72



## PH-2723

### SPECIFICATIONS:

- MATERIAL: A.B.S. with glass filled black polycarbonate
- COLOR: BLACK
- NOMINAL COVERAGE ANGLE (H X V)-6dB: 60° x 40°
- CUT OFF FREQUENCY ( HZ ) 400
- THROAT DIAMETER MM: 50 MM (2")
- MOUNTING TYPE: BOLT-ON

### MOUNTING DIMENSIONS:

- REAR HEIGHT MM : 196 mm (7.7")
- REAR WIDTH MM : 207 mm (8.1")

### OVER DIMENSIONS:

- MOUTH HEIGHT MM : 232 mm (9.1")
- MOUTH WIDTH MM : 270 mm (10.6")
- LENGTH MM : 248 mm (9.7")

- MOUNTING FLANGE THICKNESS MM : 10 mm (0.4")
- MOUNTING HOLES DIAMETER MM : 6.35 mm (0.25")
- MOUNTING HOLES NUMBER : 8

### BAFFLE CUT OUT MOUNTING:

- HEIGHT MM : 198 mm (7.8")
- WIDTH MM : 210 mm (8.3")
- NET WEIGHT : 0.92 kg (2.02 lb)
- SHIPPING WEIGHT : 1.41 kg (3.10 lb)

### PACKING CARTON DIMENSION:

- 290 mm x 252 mm x 300 mm
- 11.5" x 10" x 12"

### HORN RECOMMENDED DRIVERS:

- PA-D99, PA-DE99, PA-D72, PA-DE72, SD-990N, SD-750N, BM-D750, WN-D72

