

# HORN FOR PROFESSIONAL DRIVERS



## PH-3616

### SPECIFICATIONS:

- MATERIAL: A.B.S. with glass filled black polycarbonate
- COLOR: BLACK
- NOMINAL COVERAGE ANGLE (H X V)-6dB: 90° x 40°
- CUT OFF FREQUENCY ( HZ ) 500
- THROAT DIAMETER MM: 25 MM (1")
- MOUNTING TYPE: BOLT-ON

### MOUNTING DIMENSIONS:

- REAR HEIGHT MM : 120 mm (4.72")
- REAR WIDTH MM : 310 mm (12.2")

### OVER DIMENSIONS:

- MOUTH HEIGHT MM : 160 mm (6.3")
- MOUTH WIDTH MM : 360 mm (14.17")
- LENGTH MM : 164 mm (6.45")
- MOUNTING FLANGE THICKNESS MM : 10 mm (0.4")
- MOUNTING HOLES DIAMETER MM : 6.35 mm (0.25")
- MOUNTING HOLES NUMBER : 10

### BAFFLE CUT OUT MOUNTING:

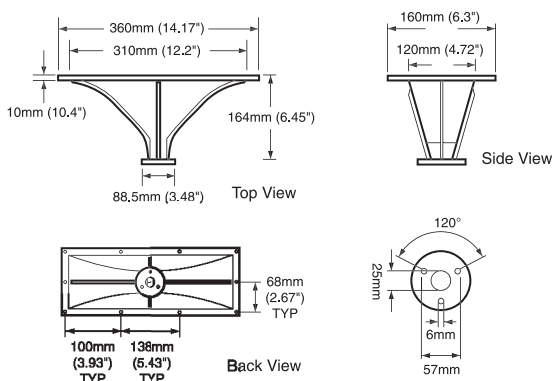
- HEIGHT MM : 125 mm (4.92")
- WIDTH MM : 315 mm (12.4")
- NET WEIGHT : 0.8 kg (1.76 lb)
- SHIPPING WEIGHT : 1.1 kg (2.42 lb)

### PACKING CARTON DIMENSION:

- 381 mm x 182 mm x 178 mm
- 15" x 7.2" x 7"

### HORN RECOMMENDED DRIVERS:

- PA-D34, PA-D44, PA-D45, BM-D440, BM-D450, SD-450N, SN-D44, WN-D44



## PH-4220

### SPECIFICATIONS:

- MATERIAL: A.B.S. With glass filled black polycarbonate
- COLOR: BLACK
- NOMINAL COVERAGE ANGLE (H X V)-6dB: 90° x 40°
- CUT OFF FREQUENCY ( HZ ) 600
- THROAT DIAMETER MM: 25 MM (1")
- MOUNTING TYPE: BOLT-ON

### MOUNTING DIMENSIONS:

- REAR HEIGHT MM : 158 mm (6.22")
- REAR WIDTH MM : 390 mm (15.35")

### OVER DIMENSIONS:

- MOUTH HEIGHT MM : 190 mm (7.48")
- MOUTH WIDTH MM : 420 mm (16.53")
- LENGTH MM : 145 mm (5.7")
- MOUNTING FLANGE THICKNESS MM : 9.5 mm (0.37")
- MOUNTING HOLES DIAMETER MM : 6.5 mm (0.25")
- MOUNTING HOLES NUMBER : 12

### BAFFLE CUT OUT MOUNTING:

- HEIGHT MM : 155 mm (6.10")
- WIDTH MM : 370 mm (14.56")
- NET WEIGHT : 0.95 kg (2.09 lb)
- SHIPPING WEIGHT : 1.4 kg (3.08 lb)

### PACKING CARTON DIMENSION:

- 424 mm x 194 mm x 149 mm
- 16.7" x 7.6" x 5.86"

### HORN RECOMMENDED DRIVERS:

- PA-D34, PA-D44, PA-D45, BM-D440, BM-D450, SD-450N, SN-D44, WN-D44

