

HORN FOR PROFESSIONAL DRIVERS



PH-4528

SPECIFICATIONS:

- MATERIAL: A.B.S. with glass filled black polycarbonate
- COLOR: BLACK
- NOMINAL COVERAGE ANGLE (H X V)-6dB: 60° x 40°
- CUT OFF FREQUENCY (HZ) 400
- THROAT DIAMETER MM: 50 MM (2")
- MOUNTING TYPE: BOLT-ON

MOUNTING DIMENSIONS:

- REAR HEIGHT MM : 233 mm (9.17")
- REAR WIDTH MM : 346 mm (13.6")

OVER DIMENSIONS:

- MOUTH HEIGHT MM : 280 mm (11")
- MOUTH WIDTH MM : 448 mm (17.6")
- LENGTH MM : 234 mm (9.2")
- MOUNTING FLANGE THICKNESS MM : 10 mm (0.4")
- MOUNTING HOLES DIAMETER MM : 6.35 mm (0.25")
- MOUNTING HOLES NUMBER : 10

BAFFLE CUT OUT MOUNTING:

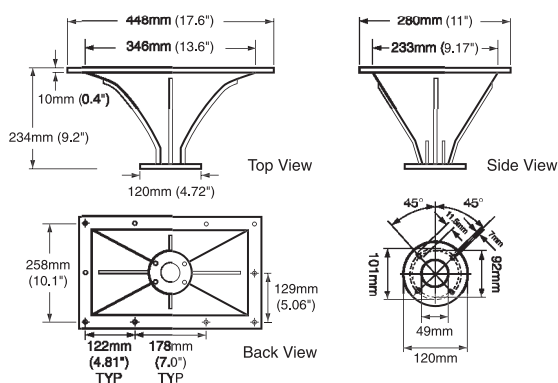
- HEIGHT MM : 235 mm (9.25")
- WIDTH MM : 350 mm (13.8")
- NET WEIGHT : 1.65 kg (3.63 lb)
- SHIPPING WEIGHT : 2.45 kg (5.39 lb)

PACKING CARTON DIMENSION:

- 480 mm x 305 mm x 280 mm
- 19" x 12" x 11"

HORN RECOMMENDED DRIVERS:

- PA-D99, PA-DE99, PA-D72, PA-DE72, SD-990N, SD-750N, BM-D750, WN-D72



PH-4530

SPECIFICATIONS:

- MATERIAL: A.B.S. with glass filled black polycarbonate
- COLOR: BLACK
- NOMINAL COVERAGE ANGLE (H X V)-6dB: 60° x 40°
- CUT OFF FREQUENCY (HZ) 400
- THROAT DIAMETER MM: 50 MM (2")
- MOUNTING TYPE: BOLT-ON

MOUNTING DIMENSIONS:

- REAR HEIGHT MM : 263 mm (10.35")
- REAR WIDTH MM : 414 mm (16.30")

OVER DIMENSIONS:

- MOUTH HEIGHT MM : 303 mm (11.9")
- MOUTH WIDTH MM : 454 mm (17.8")
- LENGTH MM : 318 mm (12.5")
- MOUNTING FLANGE THICKNESS MM : 10 mm (0.4")
- MOUNTING HOLES DIAMETER MM : 6.35 mm (0.25")
- MOUNTING HOLES NUMBER : 10

BAFFLE CUT OUT MOUNTING:

- HEIGHT MM : 268 mm (10.55")
- WIDTH MM : 375 mm (14.76")
- NET WEIGHT : 1.7 kg (3.74 lb)
- SHIPPING WEIGHT : 2.7 kg (5.94 lb)

PACKING CARTON DIMENSION:

- 470 mm x 322 mm x 365 mm
- 18.5" x 12.7" x 14.4"

HORN RECOMMENDED DRIVERS:

- PA-D99, PA-DE99, PA-D72, PA-DE72, SD-990N, SD-750N, BM-D750, WN-D72

