



Rugged Road Ready Features

- * Beefy, Stackable Ball Corners
- * Double Anchor Industrial Rivets
- * Recessed, Industrial Grade Latches
- * Recessed, Spring Loaded Handles
- * Industrial Grade Rubber Feet
- * Premium 3/8" Vinyl Laminated Plywood
- * Tongue and Groove Locking Fit
- * Low Profile Base Design
- * ATA 300 Rating
- * Road Ready Limited Lifetime Warranty

Product Dimensions

Shipping Dimensions (inch): 22.2 x 24.2 x 11.6

Shipping Weight (lbs): 26.8

Product Dimensions (inch): 21.7 x 23.6 x 10.7

Product Weight (lbs): 25.7

Shipping Dimensions (cm): 56.5 x 61.5 x 29.5

Shipping Weight (kg): 12.2

Product Dimensions (cm): 55.2 x 60 x 27.4

Product Weight (kg): 11.7

RRM19

Universal 19" Mixer Case (fits
most 19" non-rackmountable
mixers)



Created for the Pro's, the RRM19 mixer case is made for the journey and built to hold strong in high stress situations. Designed to fit 19" mixers including the Mackie 1604 and 1642, the RRM19 features a heavy-duty removable, latchable cover and adjustable foam lining for the perfect custom fit. We also created the RRM19 with a unique low profile base design that allows you to access the mixer's rear connection panel without removing your mixer from the case. Tougher than the pavement! That's the idea.

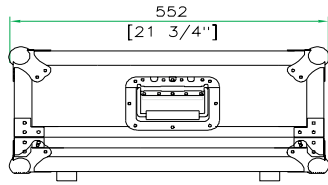
Road Ready Cases

1226 Corral Place * Santa Fe Springs, CA 90670

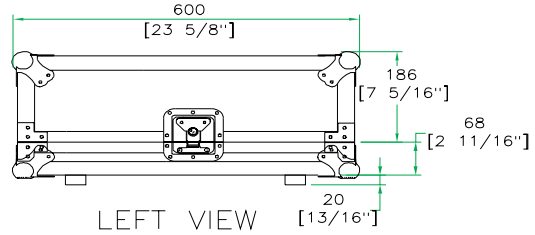
ph: 562.906.6185 * fax: 562.906.6186

WWW.ROADREADYCASES.COM

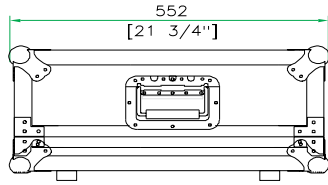
RRM19



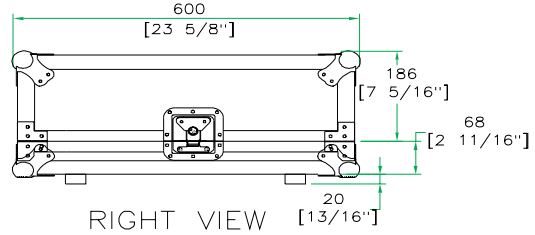
FRONT VIEW



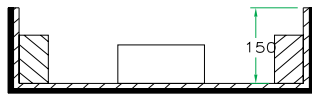
LEFT VIEW



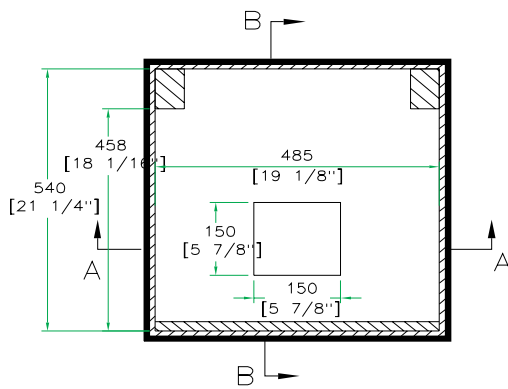
BACK VIEW



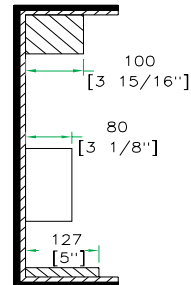
RIGHT VIEW



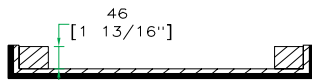
A-A VIEW



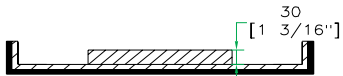
TOP VIEW OF COVER



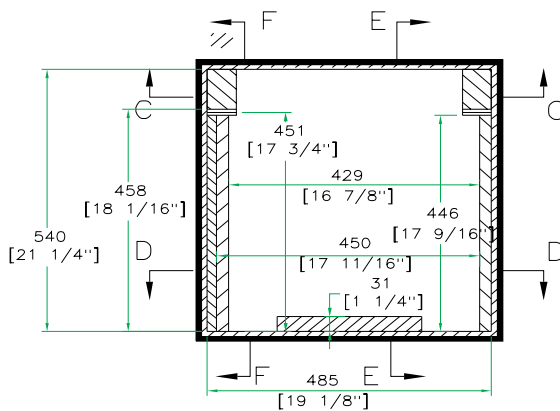
B-B VIEW



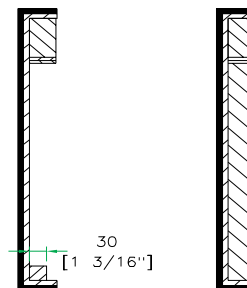
C-C VIEW



D-D VIEW



TOP VIEW OF BASE



F-F VIEW F-F VIEW