



X-Class Series

X-12HP



Applications

X-12HP

The P Audio X-Class series of portable and fixed install loudspeaker systems represent a unique combination of high performance and portability. The X-12HP is a two way sound reinforcement system designed for both live music and full range fixed installations. The X-12HP is a 12 inch two way system that features a broad coverage advanced flare high frequency horn and a high thermal capacity woofer. The rated coverage pattern of 90 degrees in the horizontal plane and 40 degrees in the vertical plane make the system ideal for wide coverage applications such as live performance reinforcement, mobile DJ systems, dance clubs and conference reinforcement systems. The 12 inch woofer is a high performance design that provides both very high power handling and world class reliability. The X-12HP is ideal for performance and speech reinforcement systems.

The advanced flare horn is mated with a medium format professional compression driver that features high energy neodymium magnetics. The compression driver also features a commercially pure titanium diaphragm and edge wound aluminum voice coil to minimize moving mass and generate extended bandwidth.

The X-12HP offers world class efficiency for high sound pressure level applications. The one watt, measured at one meter, output is 97dB, making the X-12HP a true world class sound reinforcement system. The system offers a rated bandwidth of 60Hz to beyond 20kHz. This wide bandwidth, coupled with a program rated power handling of over 900 watts makes the X-12HP ideal for a wide range of professional level portable and fixed install systems.

The X-12HP features a high impact injection molded enclosure with an integral 35mm stand mount adaptor and four recessed M10 mounting point for permanent installation applications. The system is a light weight design (31.9lbs, 14.5kg) and integral handles for easy transportation. The powder coated metal grill and high impact polycarbonate enclosure insures the X-12HP can provide high output acoustic response, even in harsh physical environments.

The X-12HP offers very linear frequency response and excellent fidelity for a wide range of professional applications.





X-Class Series

X-12HP

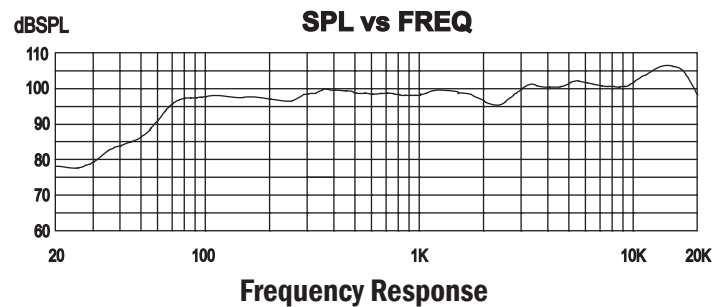
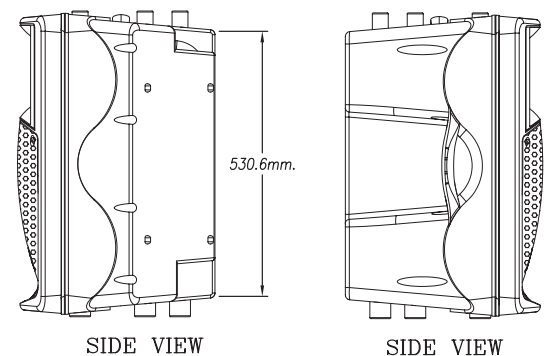
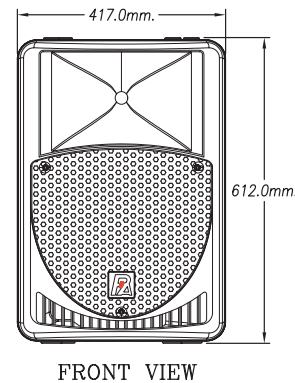
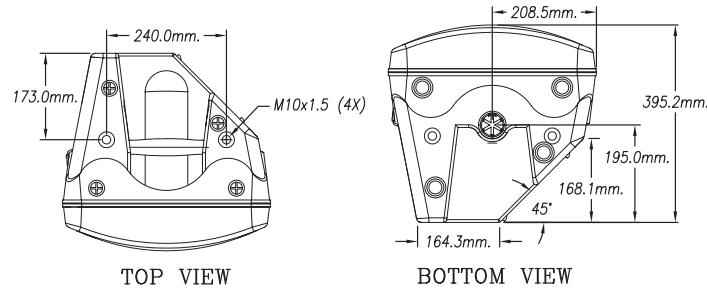
Specifications

GENERAL SPECIFICATIONS

Type	2 way Full Range Passive Bass Reflex
Power Handling-Program Rating	900 Watt
Nominal Impedance	8 Ohm
Sensitivity 1W @ 1M	97 dB
Frequency Response	60Hz-20kHz
Nominal Dispersion (H x V)	90° X 40°
Dimension (H x W x D)	612mm x 417mm x 395mm 24.0" x 16.4" x 15.5"

PHYSICAL INFORMATION

LF Component	12"(300mm) Neodymium / Cone Speaker
HF Component	1.35"(35mm) Treated Titanium Diaphragm / Neodymium
Construction	Injection Molded High Impact Polycarbonate.
Grill	Powder Coated Steel Mesh
Input / link Connectors	1 x Speakon 1 x Female 1/4" TS jack
Rigging / Fitting	2 x Recessed carrying handle on top,side 1 x 35mm stand mount adaptor 4 x Recessed M10 mounting point for flying hardware
Standard Packing	1 Pc / Pack
Unit Weight	14.5 kg (31.9 lbs)
Gross Weight	17.0 kg (37.4 lbs)
Packing Dimension HxWxD (cm)	69.0 x 48.0 x 45.0 (5.52 Cu.Ft.)



19/4 Moo 2 T.Bangkratuk A. Samparn Nakornpathom 73210 Thailand
 Tel: +66-2-441-6600 Auto 30 Lines
 e-mail: info@paudiothailand.com
 Web site: www.paudiothailand.com
 All rights reserved by P.Audio System Co., Ltd. 2007